



Micro Commercial Components

Micro Commercial Components
 20736 Marilla Street Chatsworth
 CA 91311
 Phone: (818) 701-4933
 Fax: (818) 701-4939

RB715W

30 mA
Schottky Barrier Diode
40 Volts

Features

- High reliability
- Low V_F and Low I_R
- Case Material: Molded Plastic. UL Flammability Classification Rating 94-0 and MSL Rating 1

Maximum Ratings

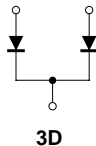
| Symbol | Parameter | Rating | Unit |
|-----------|-----------------------------|-------------|------|
| V_{RM} | Peak Reverse Voltage | 40 | V |
| I_F | Forward Current | 30 | mA |
| I_{FSM} | Peak Forward Surge Current* | 200 | mA |
| T_J | Junction Temperature | -55 to +150 | °C |
| T_{STG} | Storage Temperature | -55 to +150 | °C |

*Rating of per diode (60Hz · 1cyc)

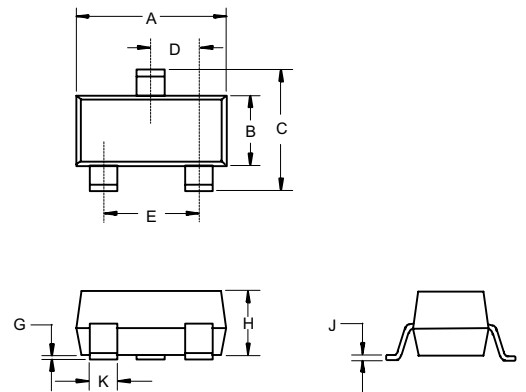
Electrical Characteristics @ 25°C Unless Otherwise Specified

| Symbol | Parameter | Min | Typ | Max | Units |
|----------------------------|--|-----|-----|------|------------------|
| OFF CHARACTERISTICS | | | | | |
| V_F | Forward Voltage ($I_F=1\text{mA}_{dc}$) | --- | --- | 0.37 | Vdc |
| I_R | Reverse Current ($V_R=10\text{V}_{dc}$) | --- | --- | 1 | uA _{dc} |
| C_D | Diode Capacitance ($V_R=1\text{V}$, $f=1\text{MHz}$) | --- | --- | 2 | pF |

Marking:



SOT-523



| DIM | DIMENSIONS | | | | NOTE |
|-----|--------------|------|--------------|------|------|
| | INCHES | | MM | | |
| | MIN | MAX | MIN | MAX | |
| A | .059 | .067 | 1.50 | 1.70 | |
| B | .030 | .033 | 0.75 | 0.85 | |
| C | .057 | .069 | 1.45 | 1.75 | |
| D | .020 Nominal | | 0.50 Nominal | | |
| E | .035 | .043 | 0.90 | 1.10 | |
| G | .000 | .004 | .000 | .100 | |
| H | .028 | .031 | .70 | 0.80 | |
| J | .004 | .008 | .100 | .200 | |
| K | .010 | .014 | .25 | .35 | |



Micro Commercial Components

Ordering Information

| | |
|------------------|----------------------|
| Device | Packing |
| (Part Number)-TP | Tape&Reel;3Kpcs/Reel |

IMPORTANT NOTICE

Micro Commercial Components Corp. reserves the right to make changes without further notice to any product herein to make corrections, modifications, enhancements, improvements, or other changes. *Micro Commercial Components Corp.* does not assume any liability arising out of the application or use of any product described herein; neither does it convey any license under its patent rights, nor the rights of others. The user of products in such applications shall assume all risks of such use and will agree to hold *Micro Commercial Components Corp.* and all the companies whose products are represented on our website, harmless against all damages.

APPLICATIONS DISCLAIMER

Products offer by *Micro Commercial Components Corp.* are not intended for use in Medical, Aerospace or Military Applications.

www.mccsemi.com